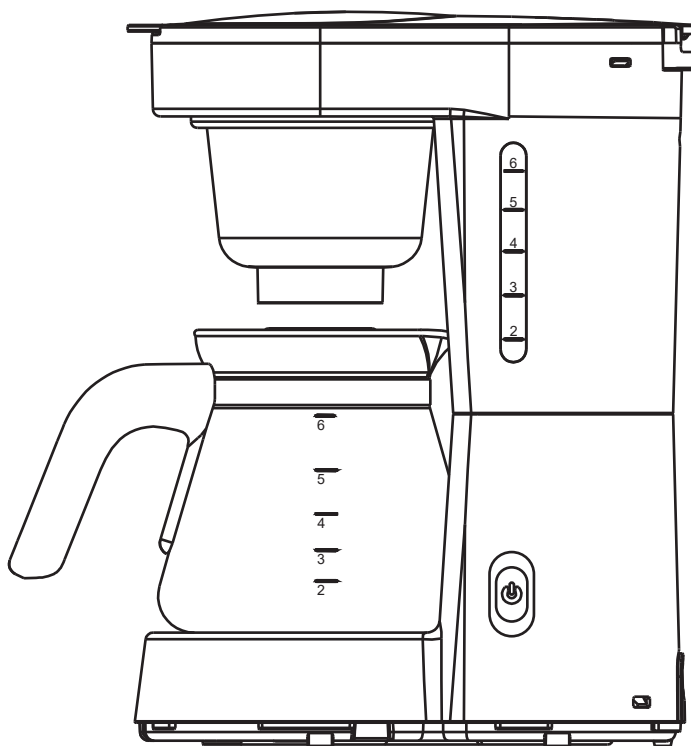


**HiBREW**<sup>®</sup>



EN

# COFFEE MACHINE

**SKU / H12**

MULTIFUNCTION DIFW

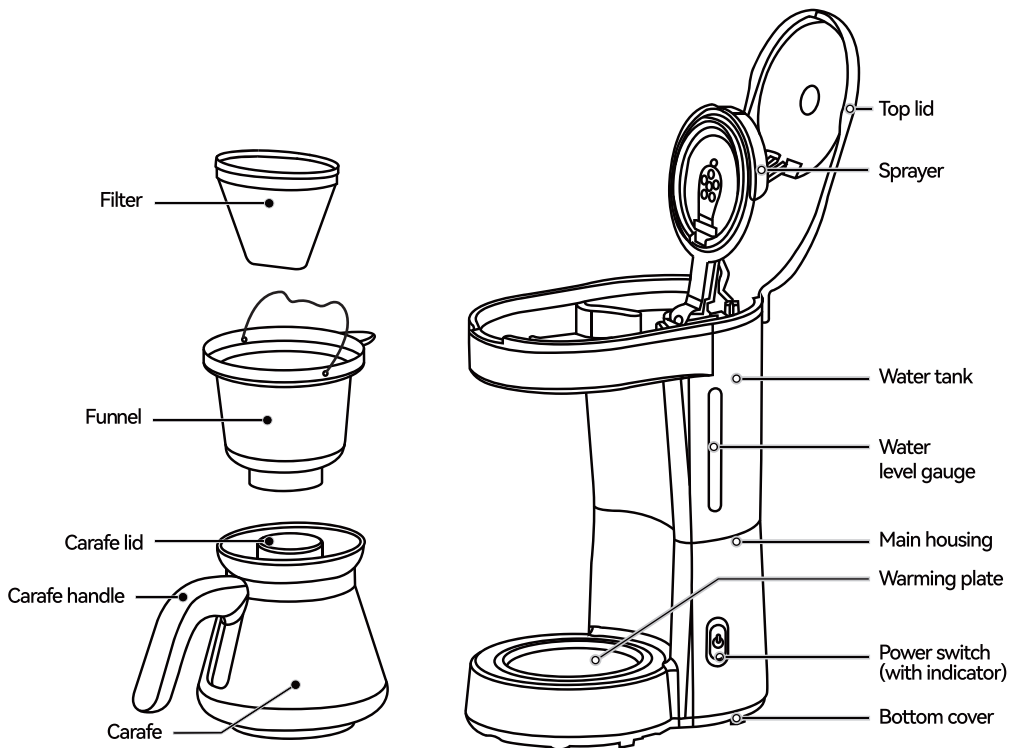


## IMPORTANT SAFEGUARDS

When using electrical appliance. Basic safety precautions should always be followed including the following:

1. Read all instructions.
2. Make sure that your outlet voltage corresponds to the voltage stated on the rating label of the coffee maker.
3. To protect against fire, electric shock and injury to persons do not immerse cord, plug, or in water or other liquid.
4. Close supervision is necessary when any appliance is used by or near children.
5. Unplug from outlet when not in use and before cleaning. Allow to cool before putting on or taking off parts, and before cleaning the appliance.
6. Do not operate any appliance with a damaged cord or plug or after the appliance malfunctions, or has been damaged in any manner. Return appliance to an authorized service facility for examination, repair or adjustment.
7. The use of accessory not recommended by the appliance manufacturer may result in fire, electric shock or injury to persons.
8. Do not use outdoors.
9. Do not let cord hang over edge of table or counter, or touch hot surface.
10. Do not place on or near a hot gas or electric burner, or in a heated oven.
11. Do not use appliance for other than intended use.
12. Do not clean container with cleansers, steel wool pads, or other abrasive material.
13. To disconnect, turn any control to "Off", remove plug from wall outlet. Always hold the plug. But never pull the cord.
14. Scalding may occur if the cover is removed during the brewing cycles. Be careful not to get burned by the steam.
15. Some parts of appliance are hot when operated, so do not touch with hand. Use handles or knobs only.
16. Never leave the empty carafe on the warming plate otherwise the carafe is liable to crack.
17. Never use the appliance if the carafe shows any signs of cracks or carafe having a loose or weakened handle. Only use the carafe with this appliance. Use carefully as the carafe is very fragile.
18. Do not set a hot container on a hot or cold surface.
19. Do not let the coffee maker operate without water.
20. Do not use a cracked container or a container having a loose or weakened handle.
21. Please do not open the top lid and make sure the glass cup is placed on the warming plate correctly during the brewing.
22. To reduce the risk of fire or electrical shock, do not remove the cover. No user serviceable parts inside. Repair should be done by authorized service personnel only.
23. The container is designed for use with this appliance. It must never be used on a range top.
24. This appliance can be used by children aged from 8 years and above and persons with reduced physical, sensory or mental capabilities or lack of experience and knowledge if they have been given supervision or instruction concerning use of the appliance in a safe way and understand the hazards involved. Children shall not play with the appliance. Cleaning and user maintenance shall not be made by children without supervision.
25. Children should be supervised to ensure that they do not play with the appliance.
26. This appliance is intended to be used in household and similar applications such as:
  - staff kitchen areas in shops, offices and other working environments;
  - farm houses;
  - by clients in hotels, motels and other residential type environments;
  - bed and breakfast type environments.
27. Do not use outdoors.
28. Save these instructions.

## KNOW YOUR COFFEE MAKER



## BEFORE FIRST USE

Check that all accessories are complete and the unit is not damaged. Add water into water tank to the MAX level and brew water for several times without coffee powder, then discard the water. Clean all detachable parts thoroughly with water.

## USING YOUR COFFEE MAKER

- 1) Open the top lid and fill the water tank with fresh water. The water level should not exceed MAX level as indicated on the water level gauge.
- 2) Add coffee powder into filter. Usual a cup of coffee need a level spoon of coffee powder, but you may adjust according to personal taste. Then assemble the filter, and make sure the funnel is fitted properly, otherwise the top lid can not be closed. Finally, close the top lid.  
Insert the carafe on the warming plate horizontally.
- 3) Plug the power cord into the outlet.
- 4) Press Power switch once, the indicator illuminates and the appliance begins working.
- 5) The brewing process can be interrupted by pressing Power switch again at any time.
- 6) The appliance will continue brewing once the Power switch is pressed again.

- 7) Remove out carafe to serve when finish brewing (about one minute later after the coffee stops dripping out.)  
Note: The coffee you get will less than the water you have added, as some water is absorbed by coffee powder. DO NOT touch lid, warming plate and so on when operating as they are very hot.
- 8) When the process is finished, if you do not want to serve immediately, keep the coffee maker is energized, the coffee can be kept warm on the warming plate. And the appliance will shut off automatically after 40 minutes from the Power switch being activated if it has not been manually disconnected at the completion of brewing. For an optimum coffee taste, serve it just after brewing.
- 9) Always turn the coffee maker off and disconnect the power supply when not use.  
Note: Pay attention to pour the coffee out, otherwise you may be hurt as the temperature of coffee just finished is high.

## CLEANING AND MAINTENANCE ---

### CAUTION:

Be sure to unplug this appliance before cleaning. To protect against electrical shock, do not immerse cord, plug or unit in water or liquid. After each use, always make sure plug is first removed from wall outlet.

- 1) Clean all detachable parts after each use in hot, sudsy water.
- 2) Wipe the product's exterior surface with a soft, damp cloth to remove stains.
- 3) Water droplets may buildup in the area above the funnel and drip onto the product base during brewing.  
To control the dripping, wipe off the area with a clean, dry cloth after each use of the product.
- 4) Use a damp cloth to gently wipe the warming plate. Never use abrasive cleaner to clean it.
- 5) Replace all parts and keep for next use.

## REMOVING MINERAL DEPOSITS ---

To keep your coffee maker operating efficiently, you should clean away the mineral deposits left by the water regularly according to the water quality in your area and the frequency of use. If the mineral deposit is excessive, the appliance will represent the following signs:

- 1) Fill the tank with water and descaler to the MAX level (the proportion of water and descaler is 4:1, details refers to the instruction of descaler. Please use "household descaler", you can use the citric acid (obtainable from chemist's or drug stores) instead of the descaler (one hundred parts of water and three parts of citric acid).
- 2) Make sure the filter is free of coffee powder.
- 3) Press the Press the Power switch once. The indicator illuminates and the appliance begins working.
- 4) Allow the appliance to "brew" two cups of de-scaling solution.
- 5) Press the Power switch again to stop the unit, make the descalers deposit in the unit at least 15 minutes.
- 6) Restart the unit and repeat the steps of 3-6 at least 3 times.
- 7) Then brewing coffee (no coffee powder) with tap water, repeat the steps of 3-6 for 3 times (it is not necessary to wait 15 minutes in step of 5), then brewing until no water is left in the tank.

## HINTS FOR GREAT-TASTING COFFEE ---

- 1) A clean coffee maker is essential for making great-tasting coffee. Regularly clean the coffee maker as specified in the "CLEANING AND MAINTENANCE" section. Always use fresh, cold water in the coffee maker.
- 2) Store unused coffee powder in a cool, dry place. After opening a package of coffee powder, reseal it tightly and store it in a refrigerator to maintain its freshness.
- 3) For an optimum coffee taste, buy whole coffee beans and finely grind them just before brewing.
- 4) Do not reuse coffee powder since this will greatly reduce the coffee' flavor. Reheating coffee is not recommended as coffee is at its peak flavor immediately after brewing.
- 5) Clean the coffee maker when over-extraction causes oiliness. Small oil droplets on the surface of brewed, black coffee are due to the extraction of oil from the coffee powder.
- 6) Oiliness may occur more frequently if heavily roasted coffees are used.

## ENVIRONMENT FRIENDLY DISPOSAL \_\_\_\_\_



You can help protect the environment!

Please remember to respect the local regulations: hand in the non-working electrical equipments to an appropriate waste disposal center.



